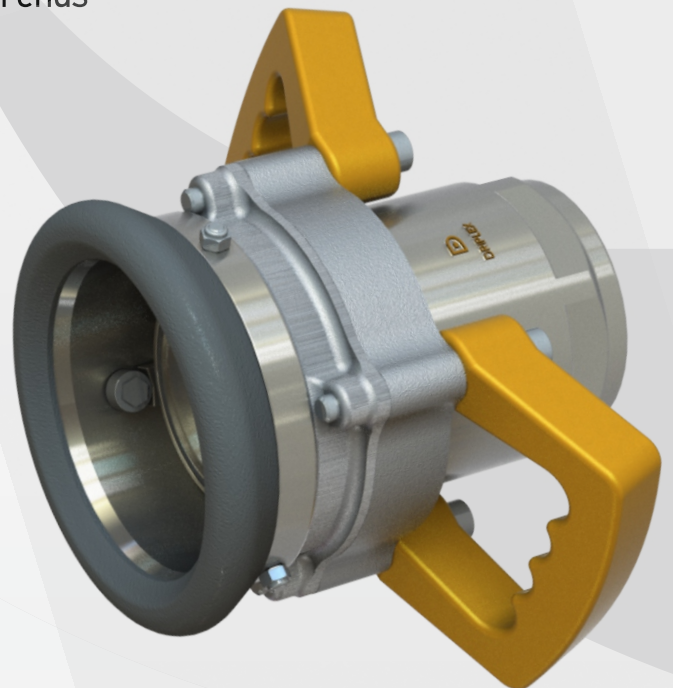
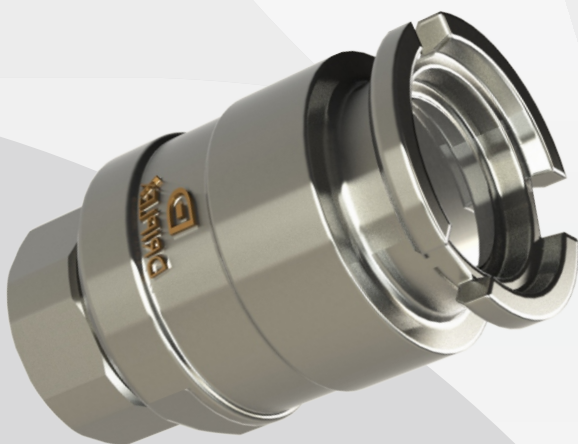


Driplex Drybreak Couplings are an internationally recognised and preferred hose/loading arm connection mechanism which acts as an NRV to seal off both the hose/loading arm and the fixed pipeline end after disconnection.

Our couplings are robustly designed and immaculately engineered for applications ranging from water, oil to extremely aggressive chemicals and gasses.

- Single Operation Couplings
- Automatic NRV's Open & Close at both ends
- Ergonomic Design
- Built in Swivel



Interchangeable with other Makes •

Ready Stock •

Quick & Easy to Operate •

Low Maintenance •

Driplex Drybreak Couplings are categorically required when your service media is:

- ▶ Unsafe for the environment and human personnel around
- ▶ Expensive
- ▶ Difficult to clean in case of leakages

How It Works

Attached on the
Hose/Loading Arm,
also known as :
Coupler or
Female Coupling



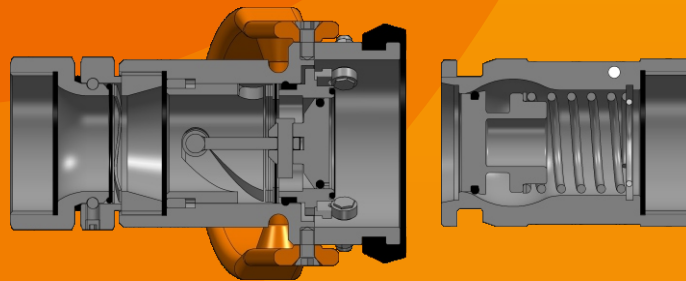
Hose Unit



Tank Unit

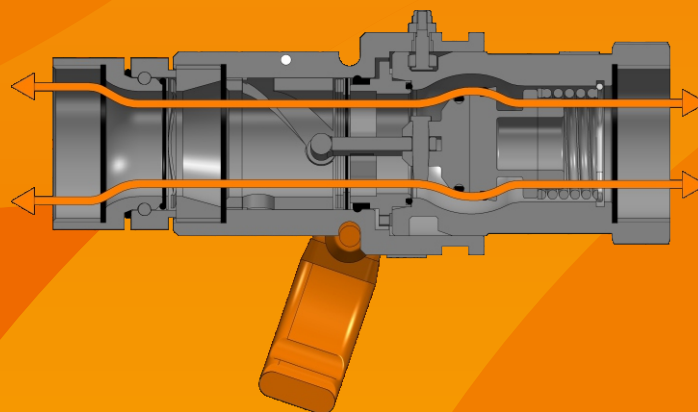
Attached on the
Manifold,
also known as :
Adaptor or
Male Coupling

Before Operation



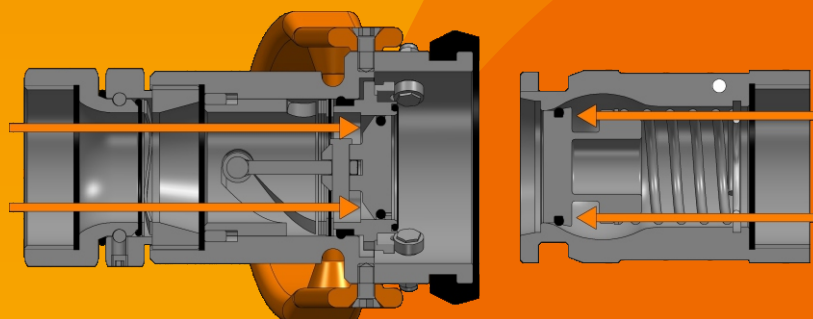
During Operation

Flow can be in
Any Direction



After Operation

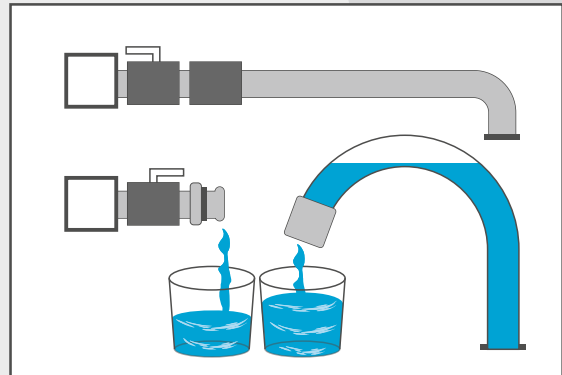
Automatic
Sealing on
Disconnection



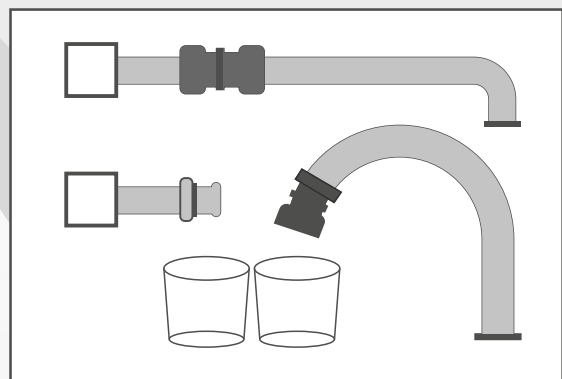
Why use Driplex Drybreak Couplings (DDC)

- **Increases Safety:**
DDC's have a mechanically operated valve design which eliminates the chances of spillage. This in turn increases human and environmental safety.
- **No Loss of Media:**
These couplings are technologically advanced which does not allow the transfer fluid to leak on disconnection, resulting into loss of media. Eliminating the use of drain buckets.
- **Easy To Operate:**
There is an inbuilt swivel, hence only the handles need to be rotated. The valves open and shut automatically.
- **Flow rate:**
Ergonomically designed couplings for excellent flow rates.

Operation without Driplex Coupling



Operation with Driplex Coupling



Application Areas



CHEMICAL



REFINERY



TRACK & RAIL WAGON



JETTY



LUBE



BUNKERING



TANK FARM



OFFSHORE

Driplex Drybreak Coupling (DDC)

Specially designed couplings for transfer of liquids including Oil, Water, Organic & Inorganic chemicals.

Size Range : ¾ inch to 6 inch

Material of Couplings : Stainless Steel, Aluminium, Bronze and Hastelloy (C276)

Seals : FKM (Viton®), NBR (Nitrile), EPDM, Chemraz®, Kalrez®.

End Connections : Threaded – BSP, NPT, ISO
Flange – ANSI, ASME, ISO, DIN, TTMA

Working Pressure : 10 bar - 25 bar

Safety Factor : 5:1

Compatibility : NATO STANAG 3756.

Standard : As per EN 13480 & EN 13445

Options Available:

- Locking arrangement on hose units for added safety
- Selectivity pin option for avoiding cross contamination
- Dust Caps and Dust Plugs available
- Colour coded adaptors
- Handles with different colours
- Round handles



Viton® and Kalrez® is registered trademarks of DuPont Performance Elastomers.
Chemraz® is a registered trademark of Green-Tweed.