



DRIPLEX
ENGINEERING

Marine BreakAway Couplings

Hoses strings during bunkering when subjected to unwarranted load caused by pull incidents can rupture hoses and can create massive spills. DRIPLEX Marine BreakAway couplings are engineered to prevent and reduce spillage during such incidents.

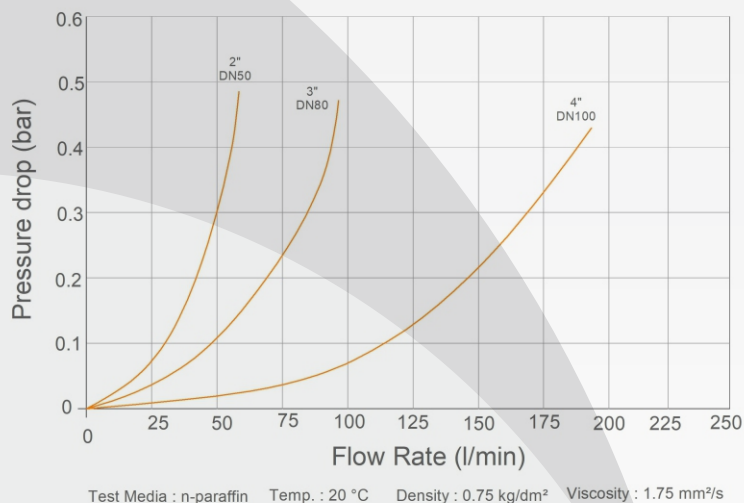
Marine BreakAway Couplings are designed to break at a precalculated force axially only. Marine Breakaways are installed only between two hoses. As the coupling is the weakest link in the entire loading or unloading setup they are designed to break first. This ensures safety of the hoses and to the environment around.



Technical Data:

Size Range	: 2" to 4"
Material of Couplings	: Stainless Steel & Aluminium. Other exotic material available on request.
Seals	: FKM (Viton®), NBR (Nitrile), EPDM and FFKM (Chemraz®) other seals available on request.
End Connection	: Threaded – BSP, NPT, ISO Flange – ANSI, ASME, ISO, DIN,
Working Pressure	: Up to 25 Bar
Temperature Range	: -20°C to 150°C (Variants available to increase the temperature range to -50 Deg C)

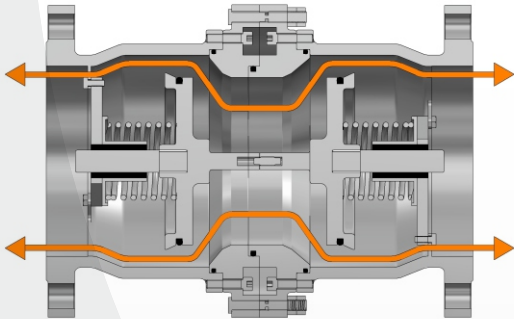
Flow Diagram for Marine Breakaway Coupling



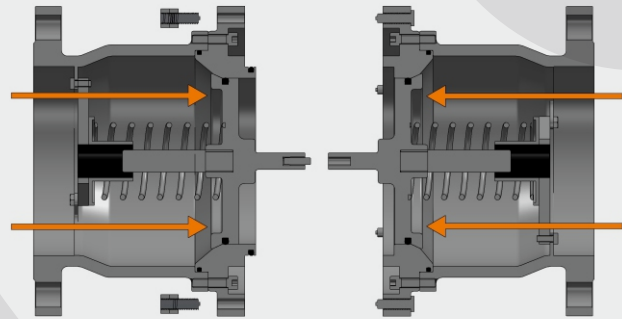
DRIPLEX Break-Away is a high-performance safety product which provides the best flow rate. They can be easily handled, are lightweight and of smaller design.



DRIPLEX
ENGINE TECH



Flow position under normal operation:
The coupling consists of two halves, each with a valve (piston) which is open.



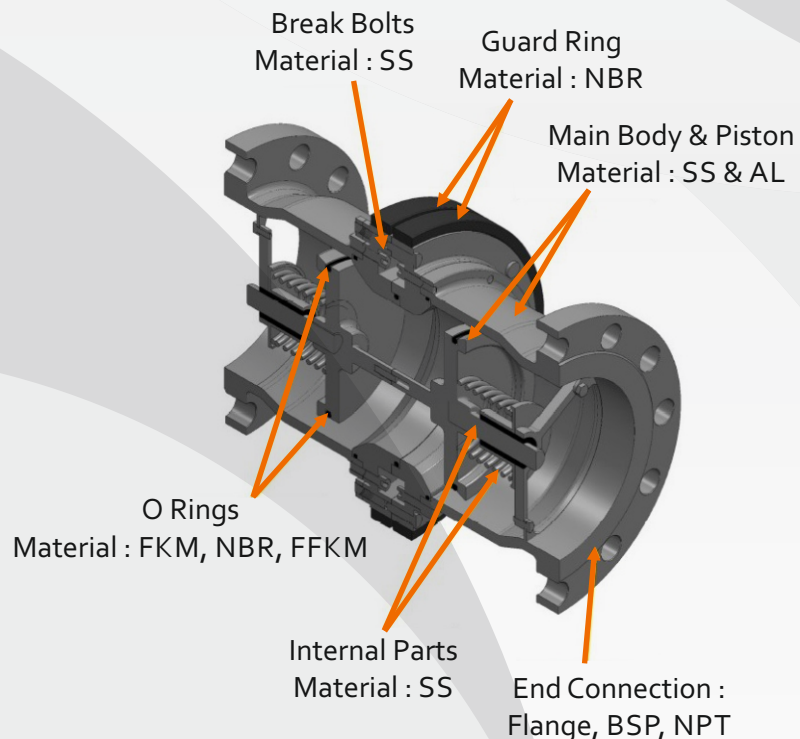
Break position during an incident:
During separation the pin breaks and the spring-loaded valves (pistons) instantly closes and the flow stops.

Under normal circumstances the BreakAway is in Flow position and the liquid or gas can transfer smoothly. The male and female couplings are sealed from the pistons ensuring no leakages.

When there is a sudden excessive load on the couplings due to a pull incident, the break pins will break. These break pins are designed to break at a pre calculated load.

Once the break pins break, the coupling male and female isolate, instantaneously the valves (pistons) on the couplings close due to the spring. This leads to stoppage of the flow path for the media with minimal spillage.

DRIPLEX BreakAways can be easily reset with a new set of break pins and o-rings need to be changed.



Driplex Engitech LLP

109 Por Industrial Park, Por, Ramangamdi, Vadodara - 391243, India.

P +91-265-2961668, +91-9930515868 E info@drycouplings.com W www.drycouplings.com